

### FEATURES

- Smaller mounting area
- Stainless steel dome material for long life and good click feel
- Suitable for mounting a narrow key pitch
- Suitable for SMT reflow soldering

### APPLICATIONS

- Smartphones
- Digital cameras
- Gaming devices
- Other small electronic devices - consumer, medical



### PART NUMBER CODE

Series	Earth Terminal	Height	Operating Force	Standard	Boss, Button	Packaging
<div style="display: flex; gap: 5px;"> <div style="border: 1px solid black; width: 20px; height: 20px;"></div> <div style="border: 1px solid black; width: 20px; height: 20px;"></div> <div style="border: 1px solid black; width: 20px; height: 20px;"></div> </div>	<div style="border: 1px solid black; width: 20px; height: 20px;"></div>	<div style="border: 1px solid black; width: 20px; height: 20px;"></div>	<div style="border: 1px solid black; width: 20px; height: 20px;"></div>	<div style="border: 1px solid black; padding: 2px;">H</div>	<div style="border: 1px solid black; width: 20px; height: 20px;"></div>	<div style="border: 1px solid black; width: 20px; height: 20px;"></div>
SOF	2 (with)	3 (2.0mm) 4 (1.0mm) 6 (1.5mm)	2 (1.6N) 8 (1.9N) 9 (3.8N)		S (with, circle) N (without, circle) F (with, square)	T (taping)

### SPECIFICATIONS

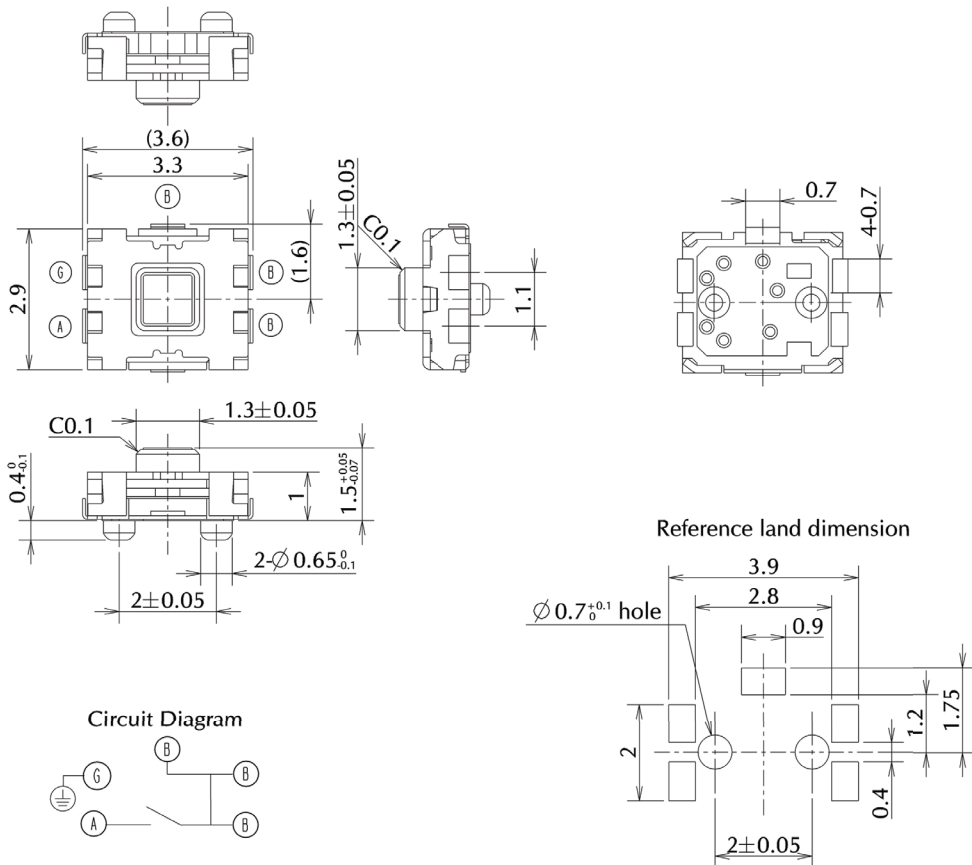
<b>Switch Type</b>	SPST	Tactile
<b>Electrical Characteristics</b>	Rating (Resistive Load)	DC12V, 50mA
	Contact Resistance	1Ω or less
	Insulation Resistance	10MΩ or more
	Withstand Voltage	1 minute at AC 100V
<b>Life</b>		100,000 times

### TYPE

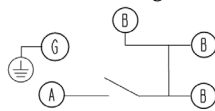
Model Name	Model No.	Operating Force	Travel	Button	Boss	Mounting Height	Pcs/Reel
SOF-242HST	R 667074	1.6N	0.12mm	Circle	With	1.0mm	5,000
SOF-242HNT	R 667075	1.6N	0.12mm	Circle	Without	1.0mm	5,000
SOF-262HST	R 667076	1.6N	0.12mm	Circle	With	1.5mm	5,000
SOF-262HNT	R 667077	1.6N	0.12mm	Circle	Without	1.5mm	5,000
SOF-232HST	R 667078	1.6N	0.12mm	Circle	With	2.0mm	4,000
SOF-232HNT	R 667079	1.6N	0.12mm	Circle	Without	2.0mm	4,000
SOF-268HFT	R 667903	1.9N	0.12mm	Square	With	1.5mm	5,000
SOF-269HFT	R 667766	3.8N	0.12mm	Square	With	1.5mm	5,000

### DIMENSIONS

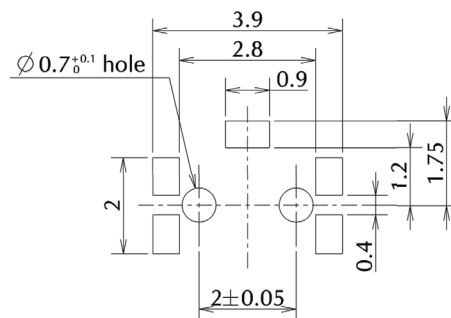
Square Button



Circuit Diagram



Reference land dimension



Reference thickness of solder stencil: 100 μm

# SOF SERIES

## Tactile Switch With Button

# MITSUMI

TACTILE SWITCHES

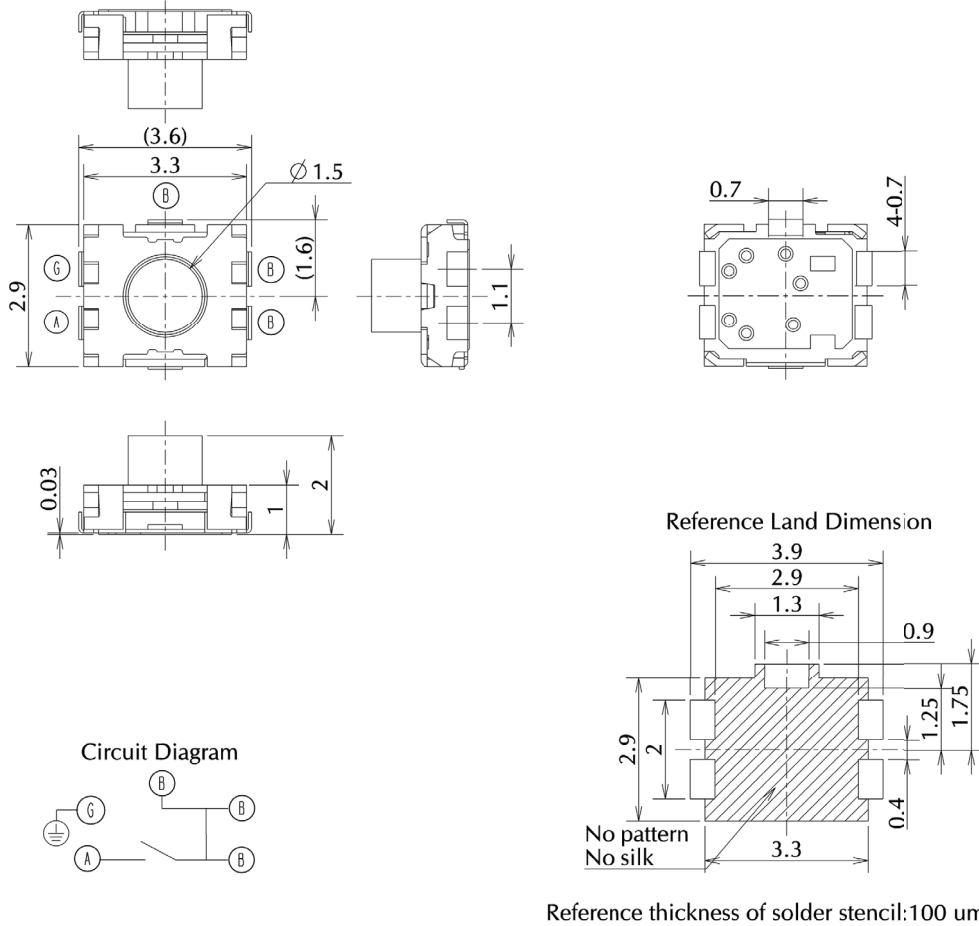
SLIDE SWITCHES

SWITCH SHEETS

SWITCH KITS

### DIMENSIONS

Circle Button



Reference thickness of solder stencil: 100 um