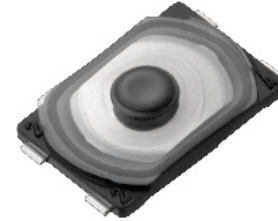


FEATURES

- Actuator on the center of the spring prevents deterioration of operating feel due to misalignment between switch and knob
- Sharp click feel and long operating life
- IP68 dust / water resistance



APPLICATIONS

- Smartphones
- Digital cameras
- Gaming devices
- Wearables
- Outdoor equipment (dusty environment)

PART NUMBER CODE

Series	Height	Actuator Type	Operating Force	Ablation Terminal	
<input type="text" value="STU"/>	<input type="text" value="057 (0.57mm)"/> <input type="text" value="060 (0.60mm)"/>	<input type="text" value="A"/>	<input type="text" value="23 (2.25N)"/> <input type="text" value="30 (3.0N)"/>	<input type="text" value="A (IP68)"/>	<input checked="" type="checkbox"/>

SPECIFICATIONS

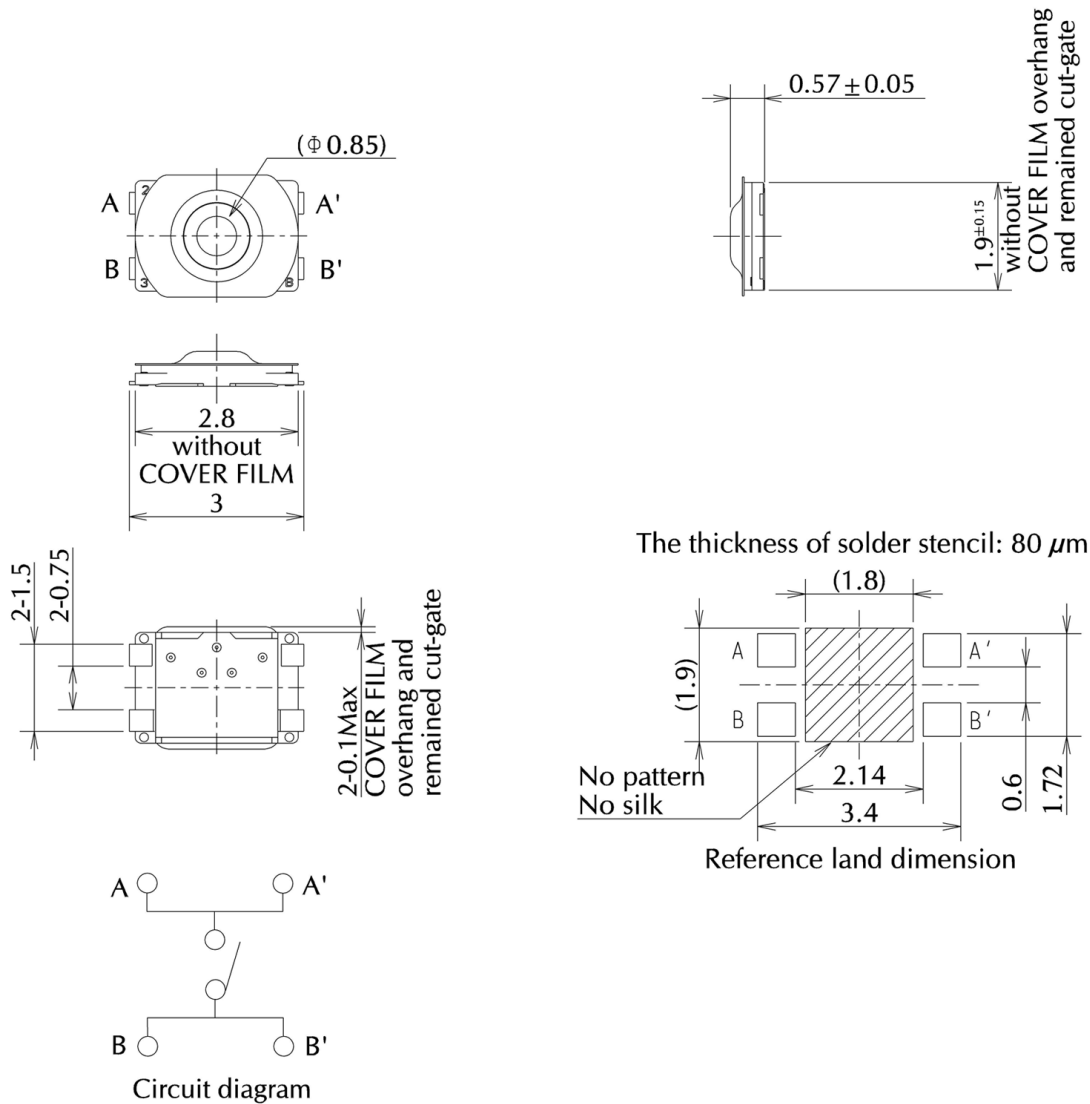
Switch Type	SPST	Tactile
Electrical Characteristics	Rating (Resistive Load)	DC15V, 20mA (maximum) DC2V, 10μA (minimum)
	Contact Resistance	500Ω or less
	Life	STU-057A23AC STU-060A30AX
Dust / Water Resistance	Protective Resistance	IP68 (1.5m depth x 30 min.)

TYPE

Model Name	Model No.	Operating Force	Travel	Click Ratio	Pcs/Reel
STU-057A23AC	R 668127	2.25N	0.15mm	≥ 40%	20,000
STU-060A30AX	R 668098	3.0N	0.15mm	≥ 35%	20,000

DIMENSIONS

STU-057A23AC



DIMENSIONS

STU-060A30AX

