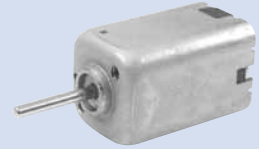


SE8F (□ 8 x 12.5mm)

Metal Brush

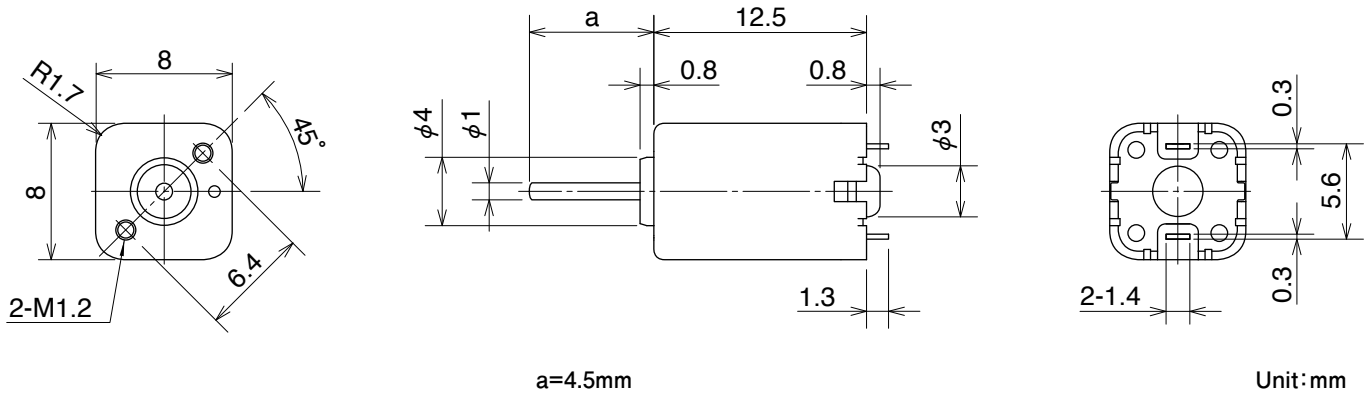


Weight:3.6g

Applications

Camera, Robot

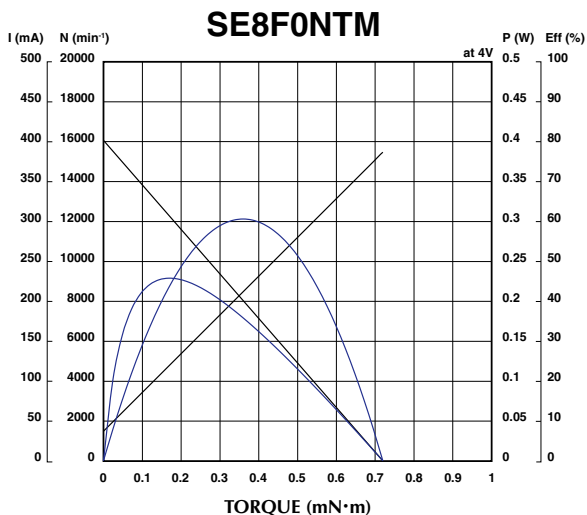
External Dimensions



Reference Characteristics

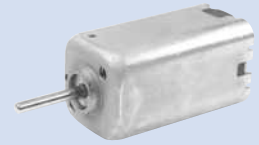
Model	Voltage		No Load		Rated Load		Rated Load		Starting Torque		Starting Current	Shaft Length
	Operating	Rated	Speed	Current			Speed	Current				
	(V)	(V)	(min ⁻¹)	(mA)	(gf·cm)	(mN·m)	(min ⁻¹)	(mA)	(gf·cm)	(mN·m)	(mA)	(mm)
SE8F0NTM	1 to 5	4	16035	37	2	0.20	11625	133	7.35	0.72	386	4.5

Characteristics



SE8G (□ 8 x 15mm)

Metal Brush

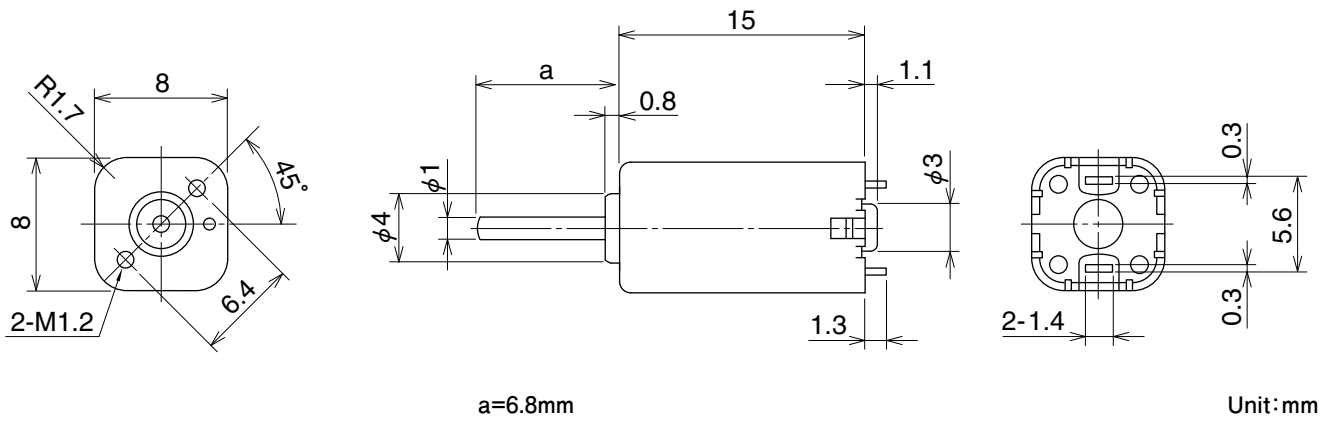


Weight:3.9g

Applications

Camera, Robot

External Dimensions



Reference Characteristics

Model	Voltage		No Load		Rated Load		Rated Load		Starting Torque		Starting Current (mA)	Shaft Length (mm)
	Operating	Rated	Speed (min ⁻¹)	Current (mA)	Speed (min ⁻¹)	Current (mA)	Starting Torque (gf·cm)	Starting Torque (mN·m)				
	(V)	(V)										
SE8G0NTM	1 to 5	4.5	12500	25	2	0.20	9650	88	9	0.88	300	6.8

Characteristics

