

# Pushbutton Switches

## V237400-0000



### Features

Operating Voltage	9V~16V
Operating Current	10~200mA
Illumination	9~16V
Operating Temperature	-40°C ~ +80°C

### Electrical Specifications

Voltage Drop	0.15V or less before test, 0.25V or less after test.
Insulation Resistance	1MΩ or more (500V Mega)
Durability	Electrical Durability 5x10 <sup>4</sup> cycles



The U-shin Compact Illumination Switch features customizable LED Symbol design and LED Color. Both momentary and alternate operation can be available upon customer request. Snap in design would allow customer assemble flexibility.

Sealing Rate	IP67
Operating Voltage	9 - 16DCV
Operating Current	10 - 200 mA

### Mechanical Specifications

Vibration Durability	Acceleration: 4.5G, Frequency: 10~200Hz, Cycle: 5min, Duration: 4hours each X,Y,Z direction. Check durability and satisfy Electrical/Mechanical spec.
Dust/Washing Durability	Apply Muddy water from top of the panel and operate 50times. Then apply water pressure washer for 10cycles (Pressure:4.9MPa, Distance: 1.0m, Duration: Top of panel: 15sec, From Under panel: 15sec, Angle 20° as 1 cycle). No boots breakage allowed and satisfy electrical/Mechanical spec.
Terminal Base Strength	Apply 98N static load to Vertical/ Tensile/ Diagonal Direction (45°) for 1 min each and no damage allowed. Satisfy Electrical/Mechanical spec after test.
Knob Strength	Apply static load, Operating direction: 98N, Diagonal(45° from upper side): 70N, Tensile Direction: 49N for 1 min each. No damage allowed and satisfy Electrical/Mechanical spec.
Water Durability	Perform IPX7 Test with connected condition. Satisfy Electrical/Mechanical spec after test. IPX7: immersion in one meter depth of water for 30min and no water penetration in switch body allowed.
Dust Durability	Perform IP6X Test with connected condition. Satisfy Electrical/Mechanical spec after test. IP6X: Load inside Switch and perform dust test. No dust penetration to the inside of switch allowed.

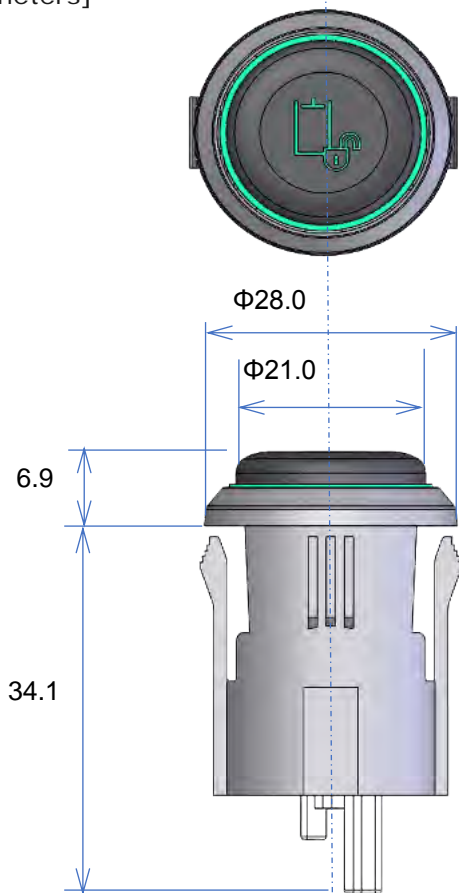
# Pushbutton Switches

## V237400-0000

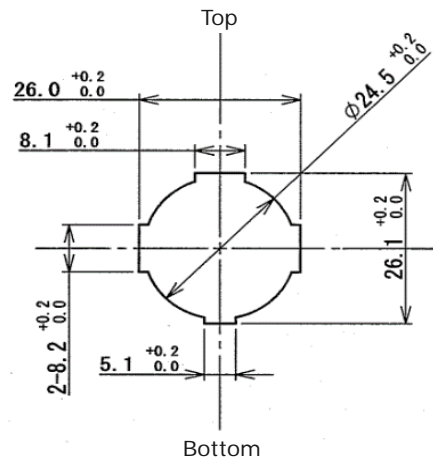


### Dimensions

[Millimeters]

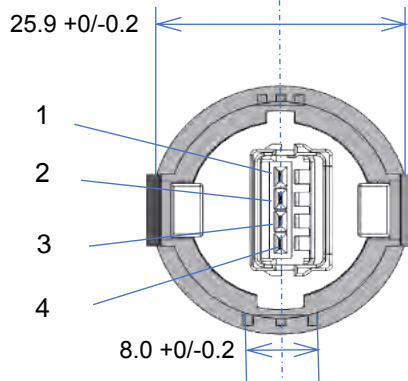


Mounting Cut Outs  
(Recommended Switch Spacing)



Panel Thickness

1.6±0.1, 2.0±0.1, 2.5±0.1, 3.0±0.1



Connector: Molex  
52116-0411  
(Mating: 52117-0411)

